





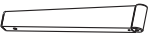




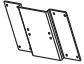


DE Montageanleitung
 FR Consignes d'installation
 NL Montagevoorschrift
 ES Instrucciones de montaje
 IT Istruzioni di montaggio
 PT Manual de montagem
 EL Οδηγίες συναρμολόγησης
 SV Montageföreskrifter
 PL Instrukcja montażu
 RU Инструкция по сборке и установке
 CS Návod k montáži
 SK Návod na montáž
 HU Szerelési előírás
 TR Montaj kılavuzu
 RO Instrucțiuni de montaj
 UK Вказівки по монтажі
 BG Инструкции за монтаж
 JA 設置の説明書
 ZH 装配说明


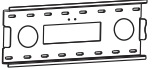
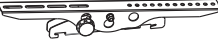













Mounting instructions

TRL1-44

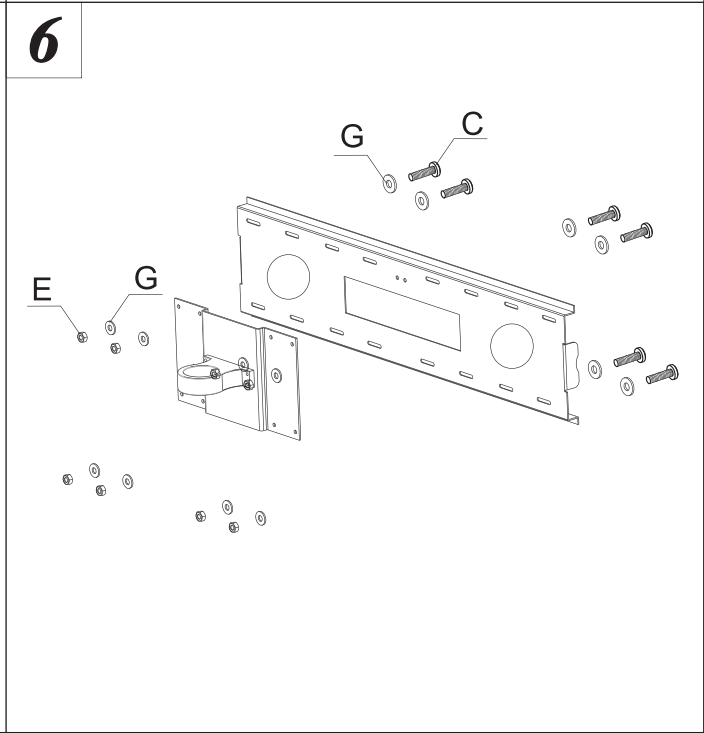
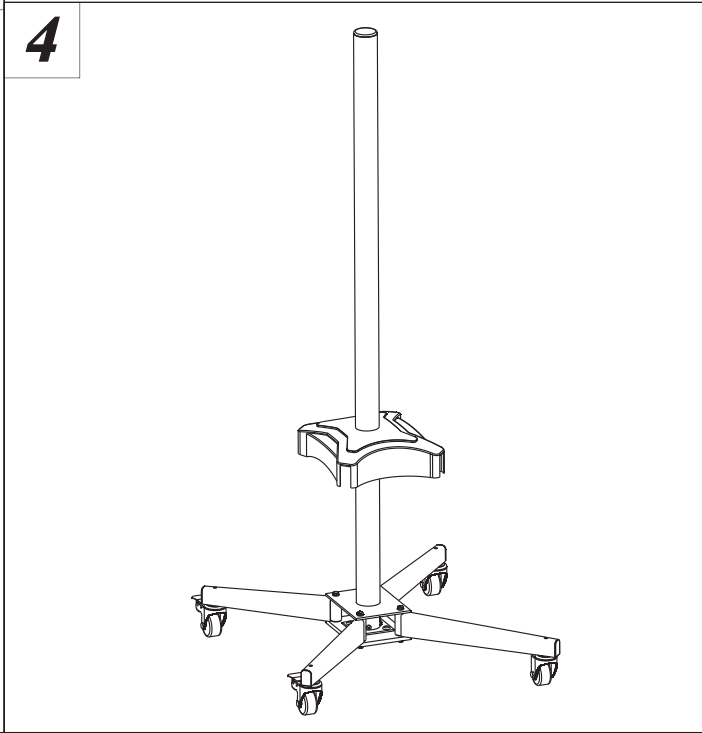
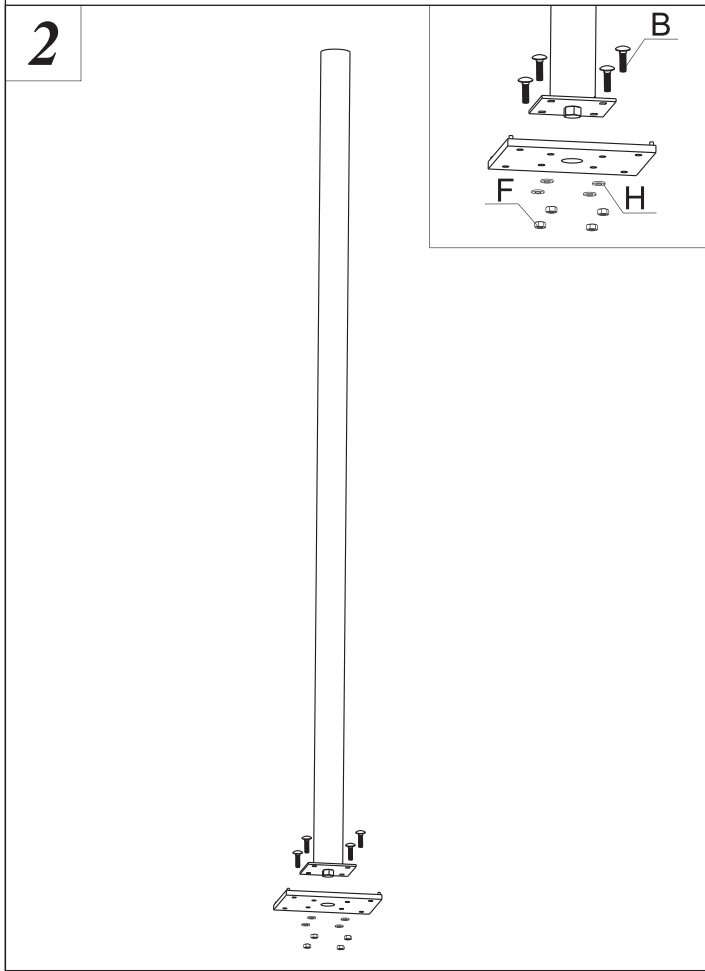
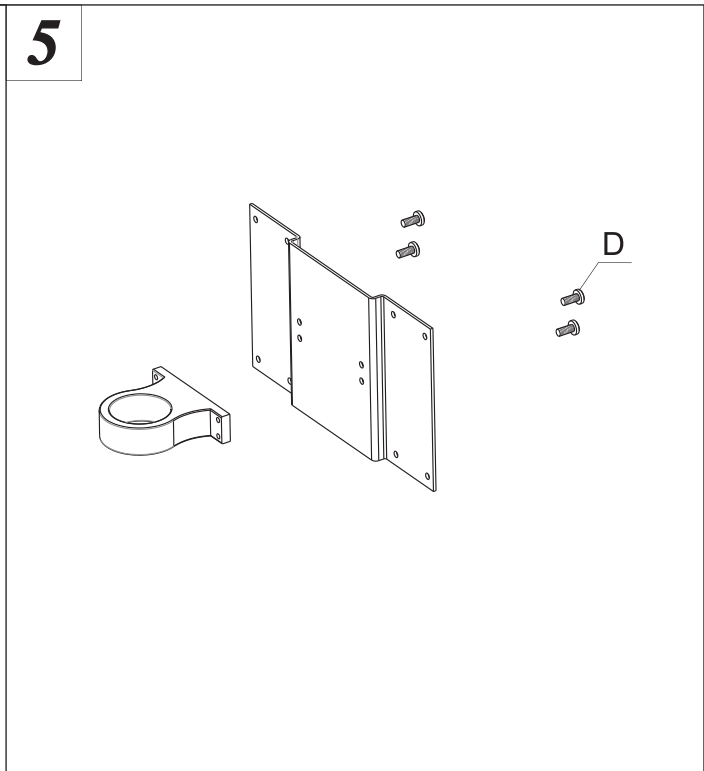
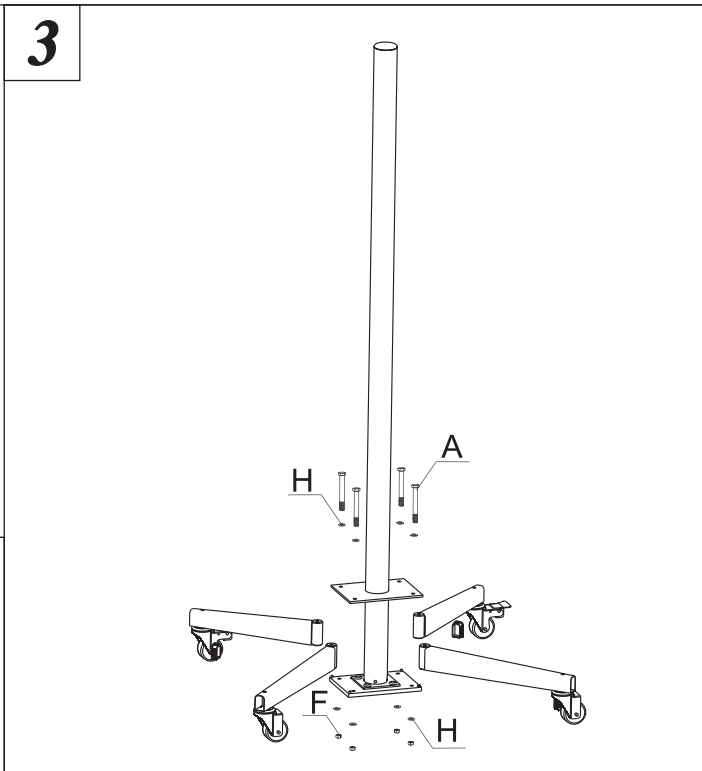
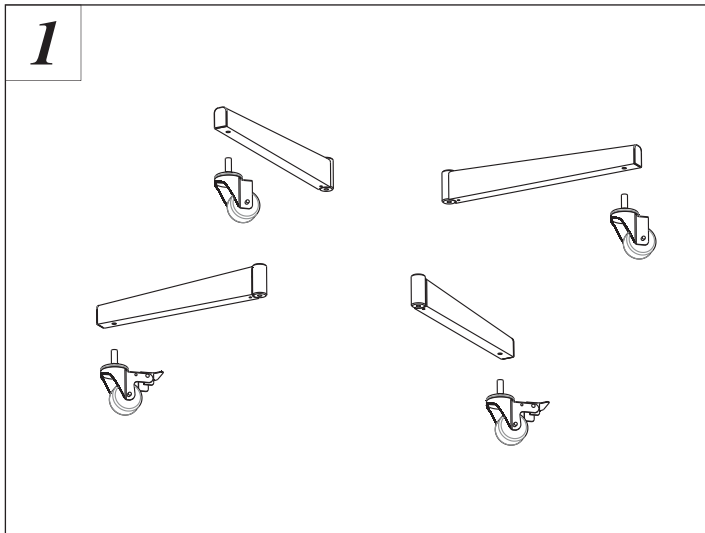


Max.VESA400x400
 Max.weight:40kg/88lbs

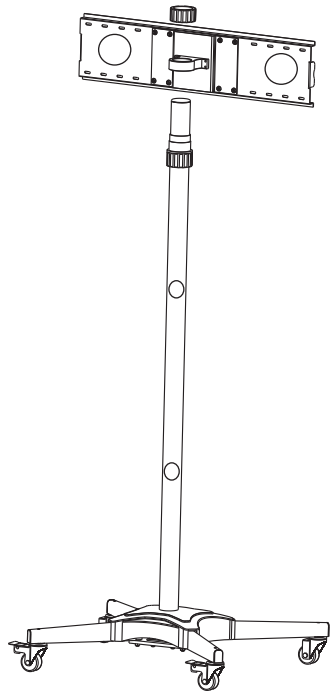
No.	Description	Specifications Model	Qty.
1		Tube	x1
2		Base connector 1	x1
3		Base foot	x4
4		Wheel 1	x2
5		Wheel 2	x2
6		Base connector 2	x1
7		Connecting parts 1	x1
8		Connecting parts 2	x1
9		Plastic cover shell	x1
10		Silicone ring 1	x1

11		Silicone ring 2	x2
12		Panel	x1
13		Arm	x2
14		Bar	x1
A		M8x100mm Hexagonal screw	x4
B		M8x25mm Flat head screw	x4
C		M6x16mm Cross round screw	x8
D		M6x12mm Cross round screw	x4
E		M6 Nut	x8
F		M8 Nut	x8
G		6 washer	x20
H		8 washer	x16
I		M8x40mm Cross round screw	x4
J		M6x20mm Cross round screw	x4
K		6 lastic spacer	x4
L		8 lastic spacer	x4

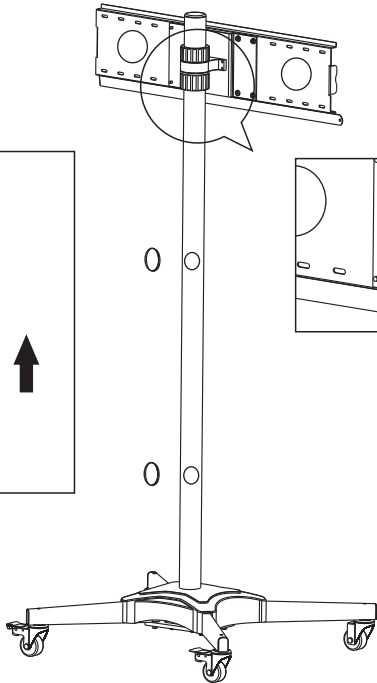
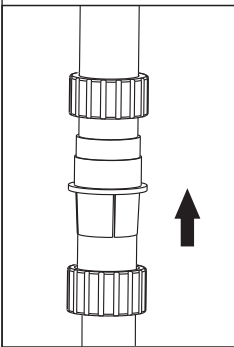
Instruction of installation operation



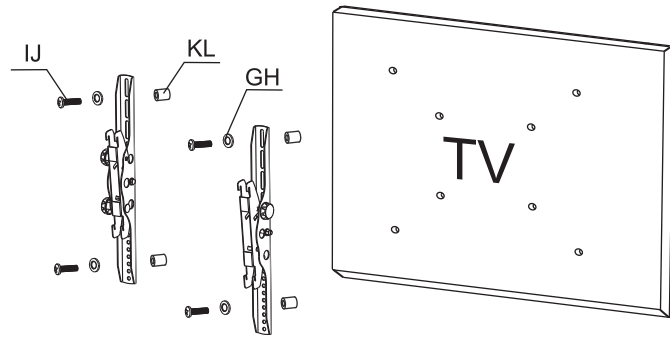
7



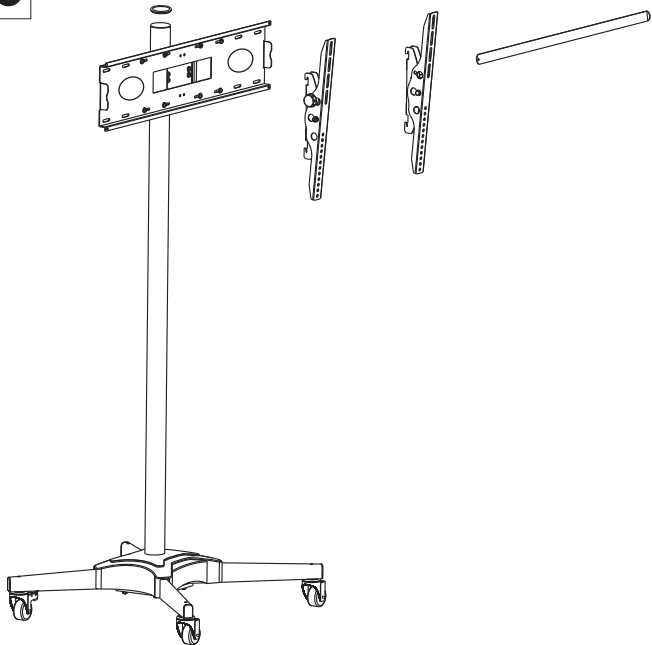
8



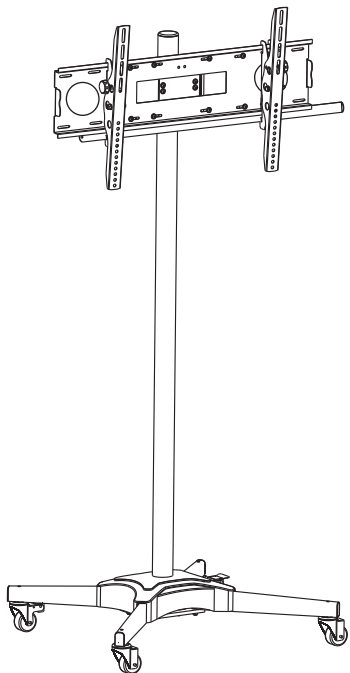
9



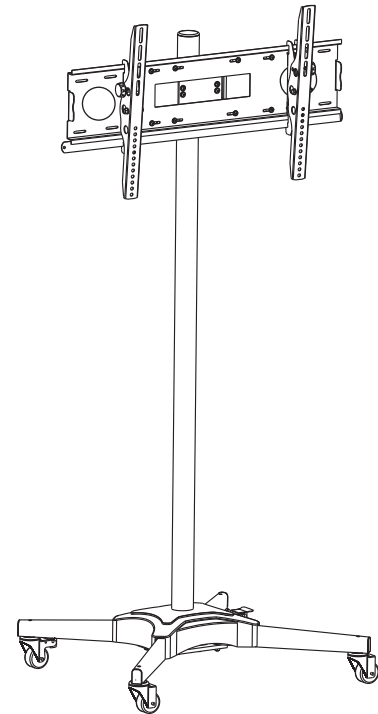
10



11



12



M5



4x

M5

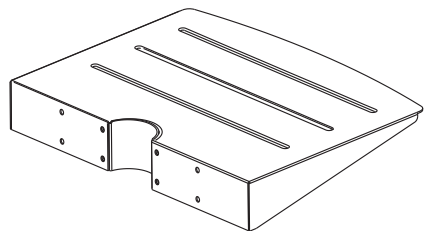


8x

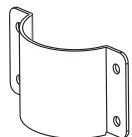
M5x20



4x

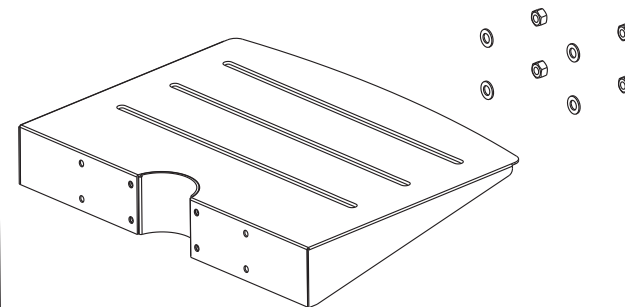
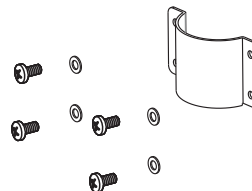


1x



1x

1



2

